



## NORTH AMERICA EQUIPMENT PRICELIST

REV. JANUARY 2021

DIGITAL INTRAORAL SENSORS  
CAMERAS  
X-RAY UNITS  
2D - 3D PANORAMIC UNITS  
SOFTWARE

Welcome to the new **Owandy Radiology** catalog for our equipment and software products.

**Owandy Radiology** is an internationally-recognised manufacturer of dental radiology systems and developer of imaging software. Its software is currently used by almost half of the dental practitioners in France and its range of digital imaging solutions is made available to dentists in more than 50 countries worldwide.

As a committed and innovative company, **Owandy Radiology** has been a partner of choice for dentists for more than 20 years.

## CUSTOMER SUPPORT

- For information and orders do not hesitate to contact our **Customer Support Team**:
  - Office: +1 516 858 5695
  - Email: [operations@owandyus.com](mailto:operations@owandyus.com)
  - Website: [www.owandy.com](http://www.owandy.com)
  
- For technical questions or information:
  - Tel: +1 516 858 5695, Choice #1
  - Email: [service@owandyus.com](mailto:service@owandyus.com)

You may also visit [portal.owandyus.com](http://portal.owandyus.com) to check all available technical resources.

Helpful technical videos are also available from YouTube :

<https://www.youtube.com/channel/UCfroafCtZXXyFzNrYkq49Hg/videos>

- All our products are **CE certified (CEE 93/42)** and **FDA & Health Canada** approved.
  
- Owandy Radiology is a company certified **ISO 9001** and **ISO 13485**.

## INTRODUCTION

PACKAGING SIZES .....	p.5
TERMS OF WARRANTY .....	p.6
GENERAL CONDITIONS OF SALE .....	p.7

## INTRAORAL RANGE

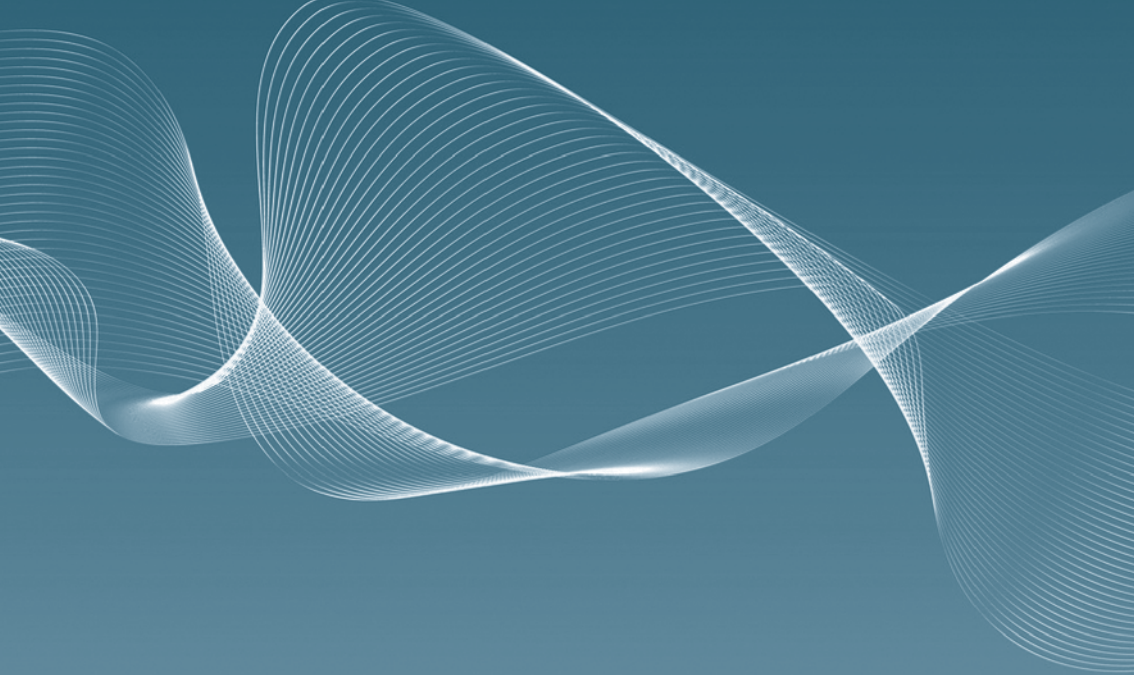
<b>DIGITAL SENSOR</b>	
OPTEO .....	p.10
<b>IMAGING PLATE SCANNER</b>	
OWANDY-CR <sup>2</sup> .....	p.14
<b>CAMERA</b>	
OWANDY-CAM HD.....	p.18
<b>X-RAY UNIT</b>	
OWANDY-RX.....	p.21

## EXTRAORAL RANGE

<b>OVERALL DIMENSIONS</b>	
I-MAX / I-MAX 3D .....	p.27
I-MAX CEPH / I-MAX 3D CEPH.....	<b>NEW</b> p.30
<b>PANORAMIC &amp; CEPH UNITS</b>	
I-MAX / I-MAX CEPH.....	<b>NEW</b> p.32
<b>3D CONE BEAM/PANORAMIC &amp; CEPH UNITS</b>	
I-MAX 3D / I-MAX 3D CEPH .....	<b>NEW</b> p.37

## SOFTWARE RANGE

QUICKVISION.....	p.42
QUICKVISION DICOM.....	p.43
QUICKVISION 3D.....	p.44



## INTRODUCTION

PACKAGING SIZES .....	P.5
TERMS OF WARRANTY .....	P.6
GENERAL CONDITIONS OF SALE .....	P.7



## PACKAGING SIZES

### Extraoral range

Product	Size (Inch)	Gross weight (Lbs)	Net weight (Lbs)
I-Max 3D	39 x 47 x 30	185	145
I-Max Ceph 3D <b>NEW</b>	39 x 59 x 55	436	388
I-Max	39 x 47 x 30	176	137
I-Max Ceph <b>NEW</b>	39 x 59 x 55	385	337

### Intraoral range

Product	Size (Inch)	Gross weight (Lbs)	Net weight (Lbs)
OPTEO	9 x 7 x 2	1	-
Owandy-CR <sup>2</sup>	16 x 13 x 3	13	-
Owandy-Cam HD	7.67 x 7.67 x 2	1.32	-
Owandy-RX	48 x 16 x 13	66	51
Owandy-RX mobile	58 x 52 x 24	132	117

## TERMS OF WARRANTY

**For all Owandy Radiology products** (except software), the warranty period is 5 years from the date of delivery, under conditions:

- **Opteo:** except cable
- **Owandy-CR<sup>2</sup>, Owandy-Cam HD:** optical and electronic
- **Owandy-RX:** X-ray generator
- **I-Max, I-Max 3D, I-Max Ceph, I-Max Ceph 3D:** sensors and generator

### Products under warranty

#### Exchange or repair

Exchanged or repaired parts during the warranty period will have their warranty period unchanged (contract warranty).

- In case of defective equipment under warranty, authorization has to be communicated by email ([service@owandyus.com](mailto:service@owandyus.com)), with indication of product type, serial number and diagnosis, to the Owandy Radiology Technical Department.
- Owandy Radiology will confirm the Return Goods Authorization (RGA) via email by assigning a RGA number (alphanumeric code) which will help for the tracking.
- This RGA number should be indicated on packages, as well as on all documents.
- For any phone or email inquiries, please mention the corresponding RGA number.
- For more information do not hesitate to contact the Owandy Radiology Service & Support Team by phone (+1 516 858-5695, Choice #1) or email ([service@owandyus.com](mailto:service@owandyus.com)).

### Products out of warranty

#### Exchange or repair

- In case of defective equipment out of warranty, authorization has to be communicated by email ([service@owandyus.com](mailto:service@owandyus.com)), with indication of product type, serial number and diagnosis, to the Owandy Technical Department.
- Owandy Radiology will confirm the Return Goods Authorization (RGA) via email by assigning a RGA number (alphanumeric code) which will help for the tracking.
- This RGA number should be indicated on packages, as well as on all documents.
- For any phone or email inquiries, please mention the corresponding RGA number.
- The repair or the exchange of the equipment will occur only after reception of the accepted estimated quotation for repair or exchange. Your approval is necessary to start the process.
- Any repaired or exchanged equipment has a 12 month warranty.
- Please note that in case or the quotation has not been approved within 30 days, goods will be shipped back at your own cost.
- For more information do not hesitate to contact the Owandy Radiology Service & Support Team by phone (+1 516 858-5695, Choice #1) or email ([service@owandyus.com](mailto:service@owandyus.com)).

## GENERAL CONDITIONS OF SALE

### A-General provisions

1. We only make deliveries under the following General Conditions for Sale even if, in continuing business relations, repeated express reference is not made. Conflicting conditions of the customer are not valid for us. If we do not reply to order confirmations which refer to diverging general terms and conditions of the customer, such silence shall not be deemed to be our consent to such general terms and conditions. In accepting our delivery, the customer declares its consent to the exclusive application of our General Conditions for Sale.

2. All offers made by us are subject to confirmation. Orders shall only be deemed to be accepted upon our written confirmation. Our order confirmation is controlling for the terms of the contract if we do not receive a written objection within 14 days following the date of our confirmation; this does not apply if our order confirmation differs substantially from the order so we cannot expect the customer's consent.

3. All agreements entered into for the execution of this contract shall be set down in writing.

4. If INCOTERMS are agreed for export business, the definitions apply which are determined and published from time to time by the International Chamber of Commerce in Paris and which are in force when the contract is concluded.

### B-Price and payments

1. Our prices are ex works Croissy-Beaubourg France or Buccinasco Italy excluding freight and insurance. Sales tax will be added to the agreed prices for domestic use by the respective statutory amount.

2. Our invoices shall be paid net cash within 30 days after date of invoice unless otherwise stated in our order confirmation. In every case repairs and labour services shall be paid net cash immediately.

3. We take bills of exchange or checks only on account of payment. All expenses and charges for discounting or cashing the bills of exchange shall be borne by the customer.

4. If we become aware of circumstances which question the credit standing of the customer, all and any of our outstanding debts become immediately due for payment.

5. The customer is not entitled to a right of retention or offset against our claims unless the counterclaims are expressly admitted by us or finally recognised by judgement

### C-Delivery, passing of risk and taking delivery

1. Shipping is made at the customer's cost and risk in every case. Deliveries will only be insured against transport damage upon explicit request of the customer and at its cost.

2. The risk passes to the customer as soon as the item to be delivered leaves our factory, even if partial deliveries are made. In the event that the customer collects the item, the risk passes to him by the time of notice of readiness for shipment.

3. Notwithstanding the customer's rights under section F of these General Conditions for Sale shall be taken by the customer, even if the items show minor defects.

### D-Delevery time

1. Adherence to the times for deliveries or performance (delivery times, i.e. delivery dates and delivery periods) requires fulfilment of the contractual duties and obligations of the customer. Thus, delivery periods first commence upon the customer's receipt of our order confirmation, but not prior to the submission of documents, specifications, etc. to be procured by the customer, however, and likewise not prior to receipt of an agreed collateral security; delivery dates will be deferred accordingly in these cases. Alterations or additions to the original scope of delivery or performance agreed upon after conclusion of the contract extend or postpone the original delivery periods or delivery dates appropriately.

2. The delivery time has been observed if the item to be delivered has left the factory, or the readiness for shipment has been notified, before expiration of the delivery time. Partial deliveries are permitted.

3. Failure in deliveries or services due to acts of God or occasioned by strikes, interventions of governmental authorities, interruption of operations, difficulties in procuring material or energy, or other unforeseeable or exceptional circumstances which are not our fault, each regardless of whether such circumstances occur in our or our sub-contractors' firm, extend the delivery time by the continuance of the impediment. This provision does not apply to cases where we have committed ourselves to delivery schedules despite the fact that such circumstances could have been foreseen or we did not take possible and reasonable steps to prevent or overcome such failure or we are responsible for such impediment. According to the foregoing provisions, we are not liable for the named circumstances even if they occur during a then present default. We can invoke these provisions only if we notify the customer of the occurrence and prospective continuance of such failure without undue delay.

4. If the customer incurs damages due to a delay for which we are liable, then the customer is entitled to compensation for such damages. The amount of such compensation is limited to 1 per cent for each full week of the default - single days proportionally, but not more than 10 percent, of the contract value. This provision does not affect our liability according to section G. No. 2 and 3 of these General Terms and Conditions for Sale, Delivery and Payment.

### E-Retention of title

1. Until payment of all claims arising from the business relation with the customer is made in full, we retain title to the delivery item (reserved item).

2. Until the transfer of title, the customer shall insure the reserved item against loss, breakage, fire, water or other damage. The customer already assigns all rights ensuing from the relevant insurance contracts and his claims against the insurer to us. We accept such assignment.

3. The customer is neither permitted to pledge nor assign the reserved item as security. In the case of any attachment as well as seizure or other dispositions, the customer shall inform us without undue delay. In the case of breach of contract on the part of the customer, particularly default of payment, we are entitled to take back the reserved item after a reminder. This also applies if the customer is over indebted or suspends payments, or an application is filed to commence insolvency proceedings against his assets, or other substantial deterioration of his economical circumstances occurs. Assertion of retention of title as well as an attachment of the reserved item by us are not deemed as withdrawal from the contract.

4. The customer is entitled to resell the reserved item in the ordinary course of business on his normal terms. In the event of resale, the claims of the customer ensuing from resale are already assigned to us up to the amount of our invoice value (including sales tax). We herewith accept the assignment. Even after the assignment, the customer is authorized to collect these claims. If the customer defaults, if an application

is filed to commence insolvency proceedings, if the customer is over indebted or suspends payments, or other substantial deterioration of his economic circumstances occurs, then the right to resell and the authorization to collect claims expires. In this case, we can furthermore make use of our power which remains unaffected to collect the assigned claims ourselves and to demand that the customer notifies his debtors of the assignment. Irrespective of this, we can demand at any time that the customer discloses the assigned claims and the debtors thereof to us, provides all the necessary details for collection and surrenders the appropriate documents.

5. Processing or reconstruction of the reserved item by the customer is always carried out on our behalf. If the reserved item is worked in with other items not belonging to us, then we acquire co-ownership of the new item in proportion to the value of the reserved item to the other worked-in items at the time of the work process. Otherwise the same applies to the item created by processing/working as for other reserved items (see above).

6. If the reserved item is combined with other items not belonging to us so that it becomes an integral part of a single item, then we acquire co-ownership of the new item in proportion to the value of the reserved item to the other combined items at the time of combination. If combination is such that the item of the customer is regarded as the main item, then it is deemed as agreed that the customer assigns us pro rata co-ownership. The customer retains the co-owned item thus created in safekeeping for us. The provisions regarding combination correspondingly apply in the event of combining or mixing. Otherwise the same applies to new items created by combining or mixing or combining as for other reserved items (see above).

7. We undertake to release securities due to us insofar as their value exceeds the claims to be secured by more than 20 %.

#### **F-Defects**

1. The customer must inspect the delivered item carefully without undue delay after receipt and to give notice to us in writing of any defects without undue delay after such defects have been detected.

2. In the case of faulty delivery or performance, the customer is entitled to elimination of the defect or delivery of a faultless item/production of new work (subsequent fulfilment) at our discretion. If we refuse to carry out subsequent fulfilment, the item proves to be a failure, is unacceptable to the customer, or does not take place within a reasonable deadline set by him, then the customer has the choice of demanding a reduction, or withdrawing from the contract, or - in the case of a contract for work and services - remedy the defects himself. Withdrawal is ruled out if the defect is minor. In other respects we are only liable in accordance with Paragraph G of these General Conditions for Sale.

3. Claims based on defects are subject to a limitation period of 24 months.

4. We can refuse subsequent fulfilment as long as the customer is in default with his obligations. A right of retention on account of any delivery defects amounting to up to twice the value of the costs to eliminate these defects remains unaffected hereby.

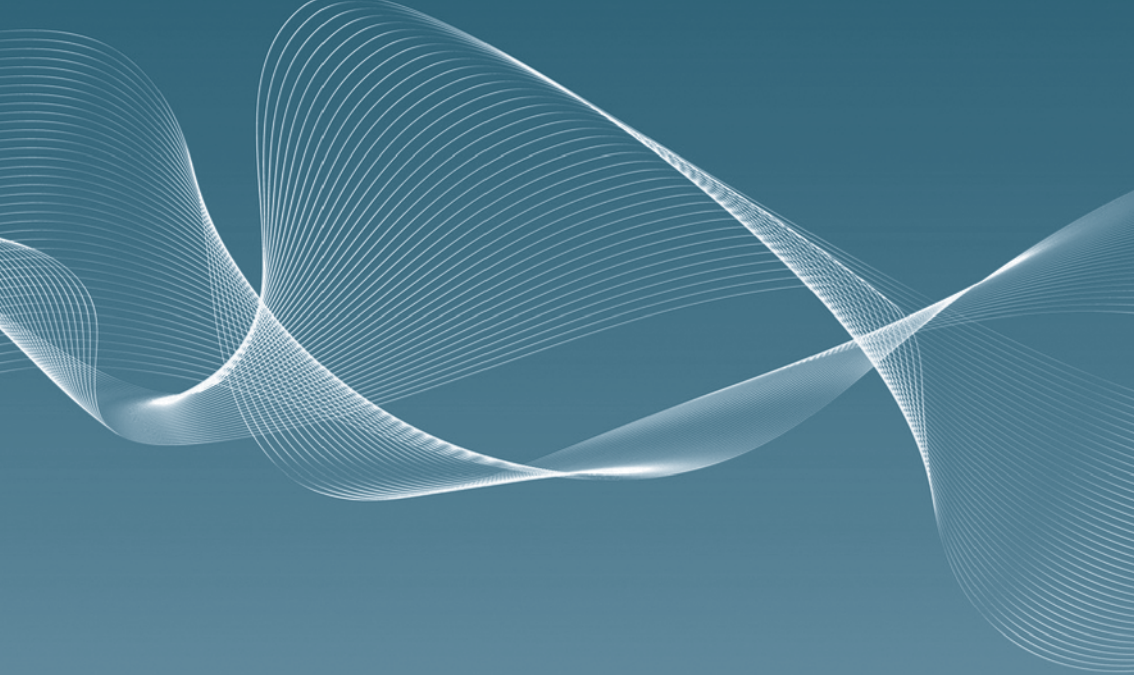
#### **G-Liability**

1. Claims of the customer for damages because of neglect of any contractual or quasi contractual obligations and claims of the customer for damages based on tort are excluded – in particular for consequential damages (including lost profit).

2. Our liability for damages arising from injury to life, body or health, for claims under the Product Liability Act, for guarantees (excluding consequential damages beyond the guarantee) as well as all foreseeable damages for which we can be charged with intent or gross negligence, remains unaffected. We are liable for damage to property as a result of simple negligence insofar as we are able to obtain cover in the context of our existing third party liability insurance.

#### **H-Place of performance, Forum and Applicable law**

1. In the event of a dispute in the interpretation and/or the execution of the present, it is fact attribution of jurisdiction to the Tribunal of Commerce in Paris (France), the applicable law being the French law.



## INTRAORAL RANGE

### DIGITAL SENSOR

OPTEO ..... p.10

IMAGING PLATE SCANNER

CAMERA

X-RAY UNIT





# OPTEO

THE CONCENTRATION OF TECHNOLOGY  
MAKES INTRAORAL IMAGING EVEN EASIER

Equipped with the CMOS technology, the OPTEO intraoral sensor allows for the acquisition of high definition images in all simplicity.

Simple and intuitive, OPTEO distinguishes itself especially by its ergonomics and its design. Its rounded corners and its bevelled sides and its remarkable thickness offer to the patient an optimal comfort.

**Thanks to its direct USB connection and its 3 meter cable, the OPTEO sensor is portable:** it follows the dentist in his daily practice no matter what the layout of his office.

The integration of the A<sup>2</sup>-S innovation (Automatic Activation System) further increases the features of the sensor.

## TECHNICAL SPECIFICATIONS

OPTEO	size 1	size 2
External dimensions of the sensor	1.6 x 1.0 x 0.2 inch	1.7 x 1.2 x 0.2 inch
Sensitive area	1.2 x 0.8 inch (1.0 inch <sup>2</sup> )	1.3 x 1.0 inch (1.3 inch <sup>2</sup> )
Sensitive area in pixels	1500 x 1000 pixels	1700 x 1300 pixels
Pixel dimensions	20 x 20 µm	20 x 20 µm
Scintillator	CsI	
Length sensor cable	3 m / 9.9ft	
Grey levels	14 bits (16384 grey levels)	
Connection	USB Standard: USB 2.0 High-Speed (480 Mbit/s) and USB 3.0.	
Consumption kit	0.5 VA under 5 V (USB port)	
Input voltage sensor	5 V (via USB connection)	
Input current sensor	0.15 A Max	
Operating temperature	+10°C to +40°C / 50°F to 104°F	
Maximal sensor temperature	Maximal ambient temperature of use: between 12°C (54°F) and 40°C (104°F)	
Lifespan CMOS	Min. 100 000 cycles	

**Pricelist**

Part number	Description	Price
9458100100	OPTEO size 1	\$ 4 490.00
9458100200	OPTEO size 2	\$ 5 490.00
EOEXT60-CAPTEUR	5-year warranty extension OPTEO*	\$ 1 200.00

\* Except cable. Warranty extension must be subscribed when ordering.

**ACCESSORIES PRICELIST**

**Plastic positioners (available for all sensors)**

Part number	Description	Price
7758003400	Introductory packs (size 1)	\$ 152.38
7758003500	Introductory packs (size 2)	\$ 152.38

**Refill packs of 10 units**

7758012600	Size 1 Bitewing (blue)	\$ 94.88
7758012800	Size 1 Endo (pink)	\$ 94.88
7758013000	Size 1 posterior (green)	\$ 94.88
7758012300	Size 1 peri-apical (orange)	\$ 94.88
7758012700	Size 2 Bitewing (blue)	\$ 94.88
7758012900	Size 2 Endo (pink)	\$ 94.88
7758013100	Size 2 posterior (green)	\$ 94.88
7758013300	Size 2 peri-apical (orange)	\$ 94.88
7758013400	Aiming ring for positioner (5 pieces)	\$ 66.13

**Accessories**

Part number	Description	Price
7758001200	Metal positioners kit Size 1	\$ 66.13
7758003800	Bag of 500 pieces of hygienic single-use disposable protection sleeves (Size 1/Size 2 compatible)	\$ 317.40
5458000000	Adhesive wall support	\$ 11.50

### Kit content

- OPTEO digital sensor # 1 or # 2 (3m cable / 9.9ft)
- An installation USB key (drivers, diagnostic tools, QuickVision software)
- Metal positionners kit (available by default for size 1)
- Starter pack of plastic positionners (available by default for size 2 and in option for size 1)
- An adhesive wall-support
- A bag of disposable single-use hygienic protective sleeves (for size 1 and 2 sensors)
- User and Installation manual
- Packaging checklist





## INTRAORAL RANGE

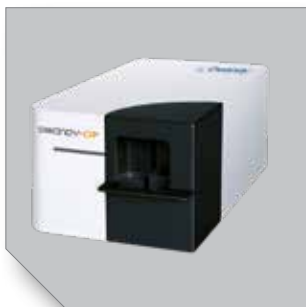
DIGITAL SENSOR

IMAGING PLATE SCANNER

OWANDY-CR<sup>2</sup>..... p. 14

CAMERA

X-RAY UNIT



# OWANDY-CR<sup>2</sup>

**THE MOST COMPACT AND EFFECTIVE  
INTRAORAL IMAGING PLATE SCANNER...  
ONCE YOU'VE TRIED IT, YOU WON'T WANT  
TO USE ANY THING ELSE!**

The Owandy-CR<sup>2</sup> is a new technology of E.R.L.M scanner. With its elegant and compact design, its size is minimal and you can position it horizontally.

The Owandy-CR<sup>2</sup> is fully automatic: imaging plate detection (including identification of their size and their insertion direction), reading and erasing are automatic.

The Owandy-CR<sup>2</sup> features a special cuttingedge concept reading head that optimises the way in which plates are scanned, improving their performance by virtue of a superior signal processing chain. Using this tool, you can produce extremely accurate images at low doses without the risk of overexposure. The imaging plates are used in conjunction with a paper protection and an hygienic single-use protection sleeve to ensure that the whole system remains sterile. The imaging plate has an excellent life-span as it never comes into contact with either the patient or the practitioner/operator.

## TECHNICAL SPECIFICATIONS

Owandy-CR <sup>2</sup>	
External sizes (height x depth x width)	4.10 x 11.26 x 5.95 inch
Weight	9.37 lbs
Resolution	34 pixel/mm- 16 Bits
Pixel size	30 µm
Scan time	4,8 s
Conversion A/N	16 bit input
Power	24V +/- 10%
Power supply	110/240V, 50/60Hz, 24W
Plate size selection	Automatic detection
System standby mode	Automatic function
Intraoral plates	
Plate sizes	size 0 : 0.87 x 1.22 / size 1 : 0.94 x 1.57 size 2 : 1.22 x 1.61 / size 3 : 1.06 x 2.13
Phosphor composition	BaSrFBr:Eu
Luminescence	400 nm
Readout	1h after exposure



## Pricelist

Part number	Description	Price
9458900032	Owandy-CR <sup>2</sup> Ethernet (110V)	\$ 7 190.00
9458900022	Owandy-CR <sup>2</sup> USB (110V)	\$ 7 190.00
EOEXT60-OWANDY-CR	5-year warranty extension Owandy-CR <sup>2</sup> *	\$ 1 500.00

\* Optical & electronic. Warranty extension must be subscribed when ordering.

## Accessories pricelist

Part number	Part number	Description	Price
<b>Intraoral plates (kit contents 4 plates + 20 paper protections)</b>			
<b>Owandy-CR</b>	<b>Owandy-CR<sup>2</sup></b> (SN > 17000000)		
6158001400	6158001401	Size 0	\$ 325.80
6158001500	6158001501	Size 1	\$ 325.80
6158001600	6158001601	Size 2	\$ 345.00
6158001700	6158001701	Size 3	\$ 345.00
	6158002501	Starting kit (2 plates size 0 + 2 plates size 2 + 10 paper protections + 50 hygienic single-use protection sleeves)	\$ 345.00
<b>Box of 100 paper protections for intraoral plates</b>			
4695481500	4695481501	Size 0	\$ 222.00
4695481600	4695481601	Size 1	\$ 222.00
4695481700	4695481701	Size 2	\$ 222.00
4695481800	4695481801	Size 3	\$ 222.00
<b>Box of 300 hygienic single-use protection sleeves for intraoral plates</b>			
	6158001800	Size 0	\$ 86.25
	6158001900	Size 1	\$ 86.25
	6158002000	Size 2	\$ 86.25
	6158002100	Size 3	\$ 86.25

## Kit content

- Scanner unit
- 2 plates size 0 + 10 paper protections and 50 hygienic single-use protection sleeves size 0
- 2 plates size 2 + 10 paper protections and 50 hygienic single-use protection sleeves size 2
- USB 2.0 cable or RJ45 Ethernet cable
- Power supply cable
- An installation USB key (drivers, diagnostic tools, QuickVision software)
- User / Installation manual
- CE Declaration of Conformity





**INTRAORAL RANGE**

DIGITAL SENSOR

IMAGING PLATE SCANNER

■ **CAMERA**

OWANDY-CAM HD..... p.18

X-RAY UNIT



## OWANDY-CAM<sup>HD</sup>

Communication between practitioner and patient is an essential element of their activity. This is why Owandy Radiology developed the Owandy-Cam HD.

Designed to facilitate communication, Owandy-Cam HD helps explain patients clinical procedures.

With a «focus free», 4 shots are possible, allowing you to go from a smile to a single tooth.

The Owandy-Cam HD is ergonomic. Its rounded shape and ultra-thin head revive any trauma in the mouth.

Moreover, its wide 105° viewing angle allows better exploration of distal areas.

Its USB 2 connection allows you to move and share the camera within the cabinet with ease.

With the “Push & Pull” system, the Owandy-Cam HD can be easily integrated in the chair like other handpieces.

### TECHNICALS SPECIFICATIONS

Owandy-Cam HD	
Handpiece dimensions	8.07 x 1.10 x 0.95 inch
Intraoral part thickness	0.04 inch
Weight of handpiece alone	0.12 lbs
Sensor	CCD 1/4" Sony high sensitivity
Resolution	752 x 582 pixels at 50 image/sec
Lighting	8 LEDs
Focus	Fixed focus large depth of field
Angle	105°
Freeze frame	Touch button
Connection	USB 2.0 High-Speed (480 Mbit/s)
USB cable length	98.4 inch

## Pricelist

Part number	Description	Price
S_OCAM	Owandy-Cam HD kit	\$ 1 990.00
EOEXT60-OWANDYCAM	5-year warranty extension Owandy-Cam HD*	\$ 250.00

\* Optical & electronic. Warranty extension must be subscribed when ordering.

## Accessories pricelist

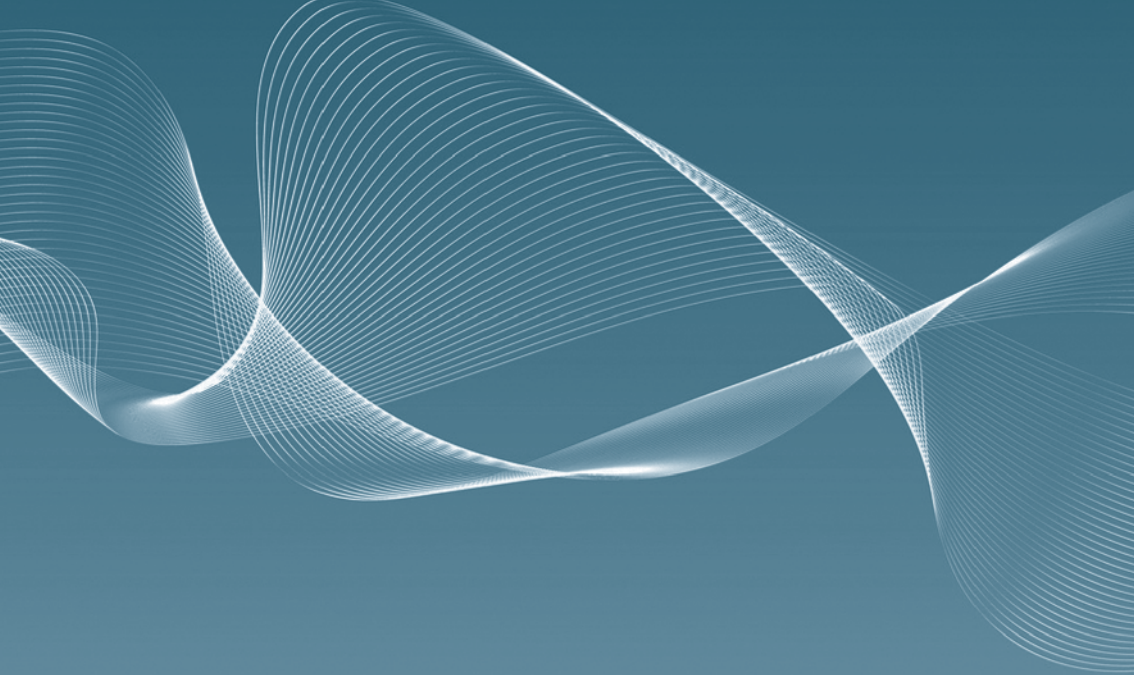
Part number	Description	Price
926063	Wall support	\$ 60.00
S_ODOCK_0001	USB dock	\$ 600.00
7735000900	Disposable, single-use hygienic covers for camera (500 pcs)	\$ 313.00

## Kit content

- Camera + dock
- 2.5m cable
- USB cable extension
- Wall support
- Cleaning wipes
- Single-use hygienic covers for camera
- Installation USB key (drivers, diagnostic tools, QuickVision)
- Owandy-Cam HD Quick Start







**INTRAORAL RANGE**

DIGITAL SENSOR

IMAGING PLATE SCANNER

CAMERA

**X-RAY UNIT**

OWANDY-RX ..... p.21



# OWANDY-RX

LCD SCREEN...  
FOR MORE RELIABILITY!

Equipped with High Frequency technology and a 0.4mm focal spot, the Owandy-RX ensures consistent exposure parameters and high quality X-ray emissions.

Equipped with a 3.7" LCD screen, the Owandy-RX has a simple and intuitive user interface.

In response to energy saving concerns, the generator has an integrated Sleep mode function in case of prolonged inactivity.

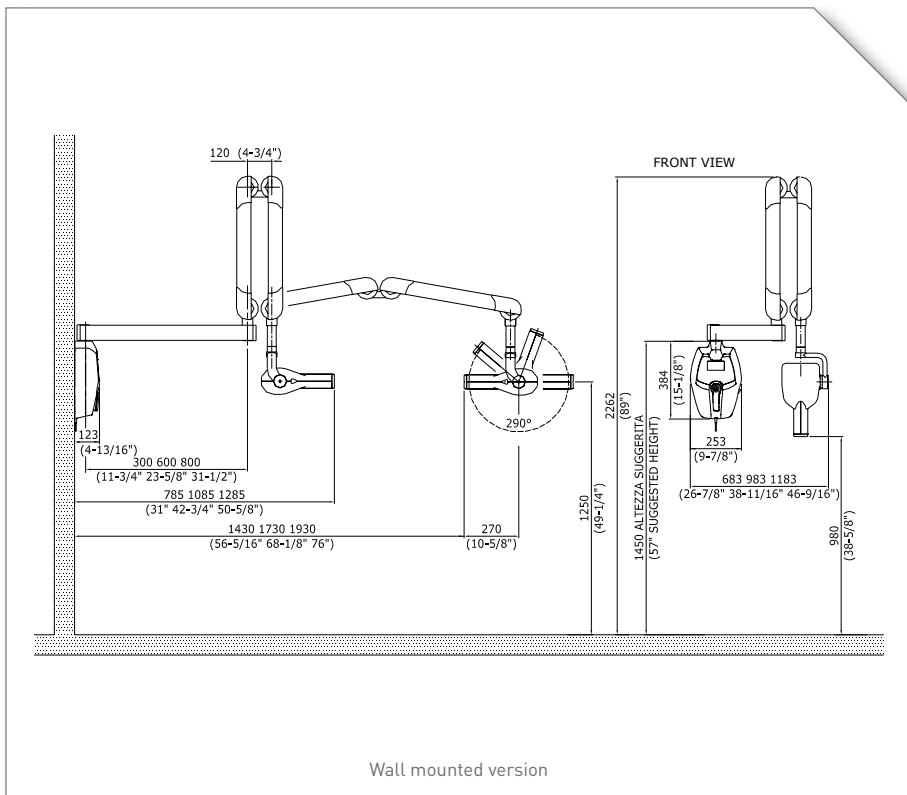
X-ray emissions are controlled safely and remotely with the «wireless trigger» option and no more cables obstruct the work top allowing you to move freely.

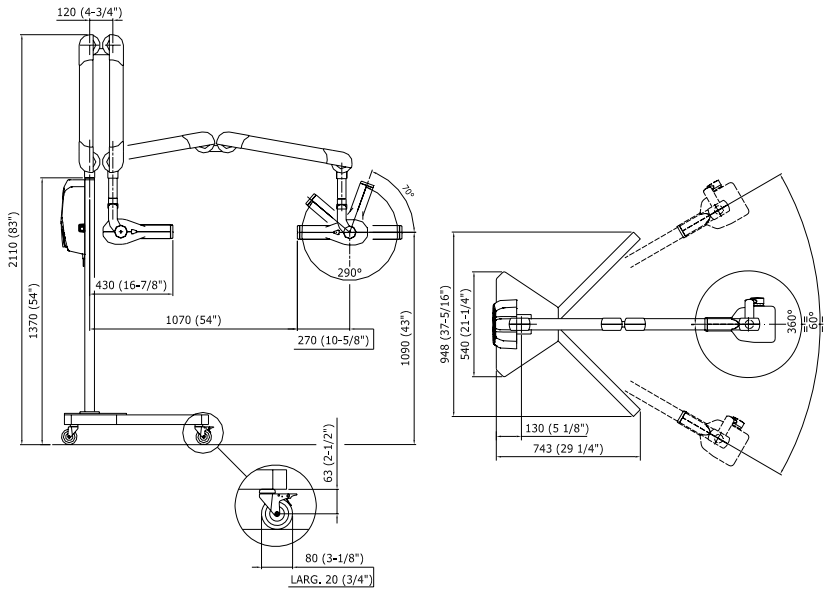


## TECHNICAL SPECIFICATIONS

Owandy-RX	
Rated voltage	110/220 V to 50/60 Hz
HF generator	Variable potential of 60, 65 or 70 kV, 6mA
Focal spot size	0,4 mm (IEC 336)
Exposure times	From 0,01s to 2,00 s (in 36 steps)
LCD screen	84 x 45 mm
Microprocessor-controlled timer	<ul style="list-style-type: none"> <li>• Tooth type setting</li> <li>• Patient anatomy setting</li> </ul>
Pre-programmed exposure time tables	<ul style="list-style-type: none"> <li>• D, E and F type films</li> <li>• Digital systems: CCD and CMOS sensors, imaging plates</li> <li>• Configurable timetable</li> </ul>
Focal spot to skin	20 cm
Circular collimator	55 mm diameter
Extension arm	30, 60, and 80 cm
Options	<ul style="list-style-type: none"> <li>• Remote timer (cable up to 20m)</li> <li>• Mobile cart</li> <li>• Wireless trigger kit</li> <li>• Long cone</li> <li>• Rectangular collimator: 35x45 mm, 25x35 mm, 20x30 mm</li> </ul>
Tubehead	
Rated voltage	60-65-70 kV selectable
Tubehead power	420 W
Total filtration	≥ 2,5 mm Al eq. @ 70 kV
Transformer isolation	Oil bath
Focal spot	0.5 (IEC 336)
Minimum focus to skin distance	20 cm (optional 30cm cone)
X-ray diameter (@ 20cm focus)	≤ 6 cm (35x45 mm + 25x35 mm + 20x30 mm optional)
Cooling	Convection
Technical factors for leakage radiation	70 kV, 6 mA, 1 s duty cycle 1 exposure every 60 seconds

## Overall Dimensions





Mobile stand version



## Pricelist

Part number	Description	Price
<b>Owandy-RX range</b>		
9459100205	Owandy-RX DC X-ray generator unit, Std wall mounted version, 30 cm extension arm	\$ 3 990.00
9459100005	Owandy-RX DC X-ray generator unit, Std wall mounted version, 60 cm extension arm	\$ 3 990.00
9459100105	Owandy-RX DC X-ray generator unit, Std wall mounted version, 80 cm extension arm	\$ 3 990.00
9459100305	Owandy-RX DC X-ray generator unit, Mobile stand version	\$ 4 370.00
<b>Owandy-RX Wireless range</b>		
9459100215	Owandy-RX DC X-ray generator unit, Std wall mounted version, 30 cm extension arm Wireless X-ray pushbutton	\$ 4 290.00
9459100015	Owandy-RX DC X-ray generator unit, Std wall mounted version, 60 cm extension arm Wireless X-ray pushbutton	\$ 4 290.00
9459100115	Owandy-RX DC X-ray generator unit, Std wall mounted version, 80 cm extension arm Wireless X-ray pushbutton	\$ 4 290.00
9459100315	Owandy-RX DC X-ray generator unit, Mobile stand version- Wireless X-ray pushbutton	\$ 4 609.58
EOEXT60-OWANDY-RX	5-year warranty extension Owandy-RX *	\$ 900.00

\* X-ray generator. Warranty extension must be subscribed when ordering.

## Accessories pricelist

Part number	Description	Price
6659300700	Remote Timer kit	\$ 383.33
6659120000	Remote X-ray button support	\$ 110.35
6159410202	Rectangular beam limiting device 20 x 30 mm	\$ 116.16
6159410102	Rectangular beam limiting device 25 x 35 mm	\$ 116.16
6159410002	Rectangular beam limiting device 35 x 45 mm	\$ 116.16
8160120000	Mobile stand complete	\$ 1 021.73



## EXTRAORAL RANGE

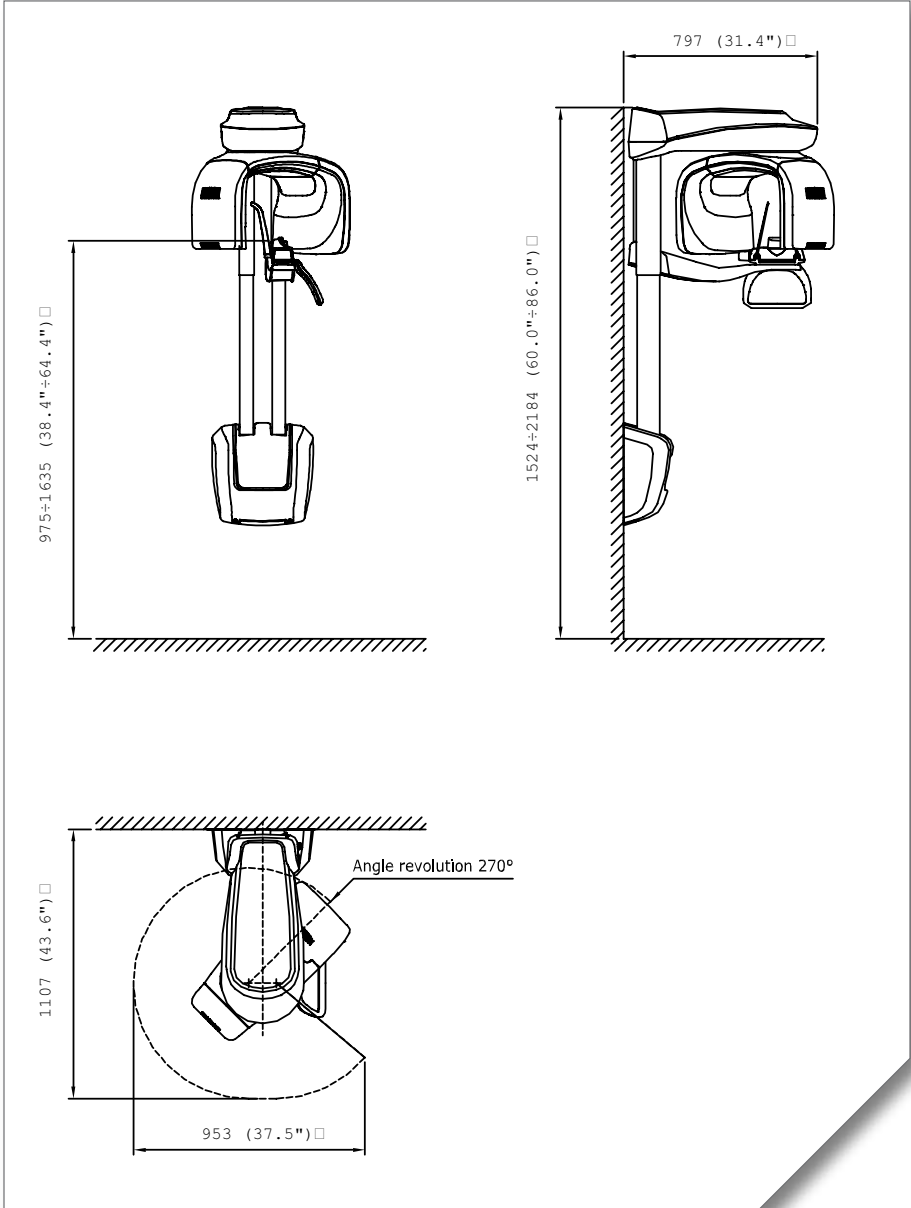
### OVERALL DIMENSIONS

I-Max / I-Max 3D .....	p.27
I-Max Ceph / I-Max Ceph 3D .....	p.30

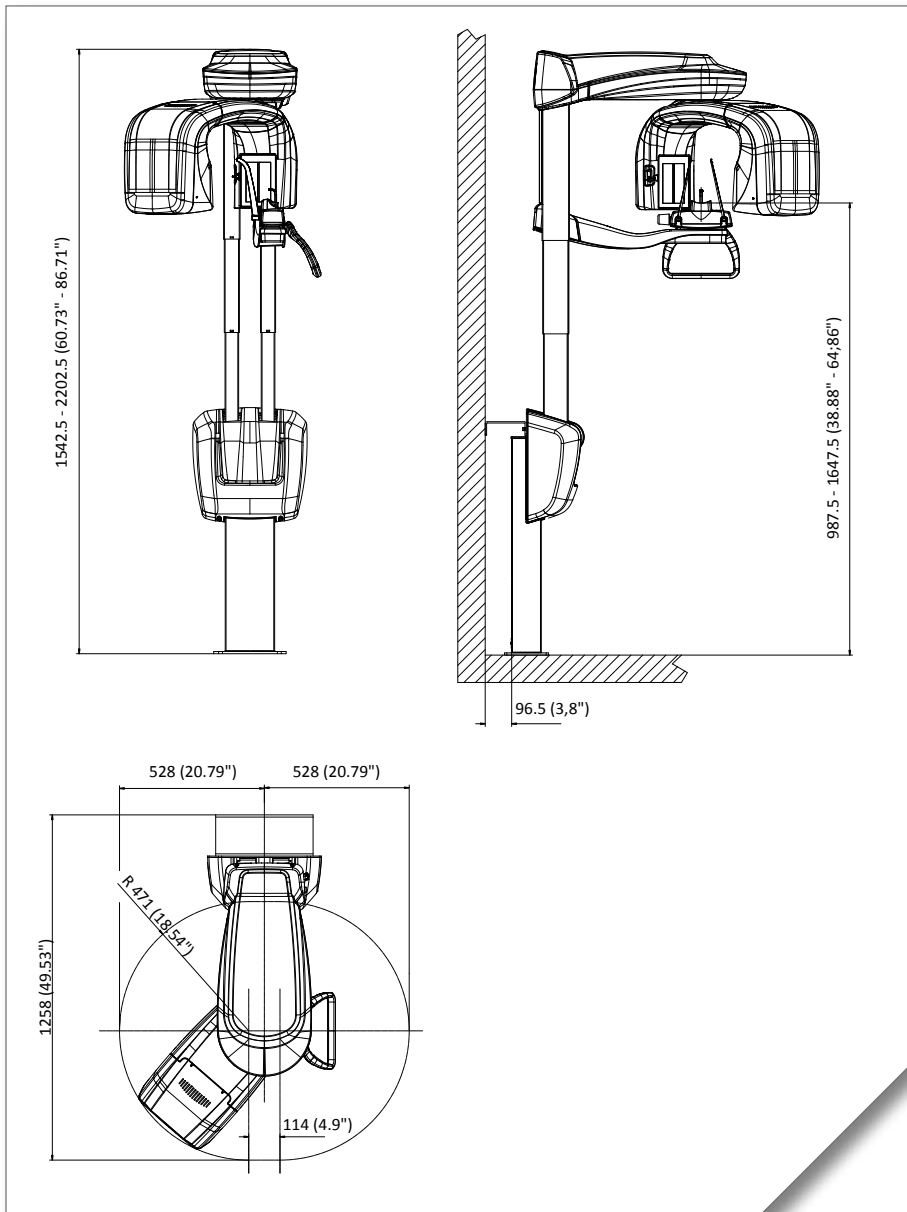
### PANORAMIC & CEPH UNITS

### 3D CONE BEAM/PANORAMIC & CEPH UNITS

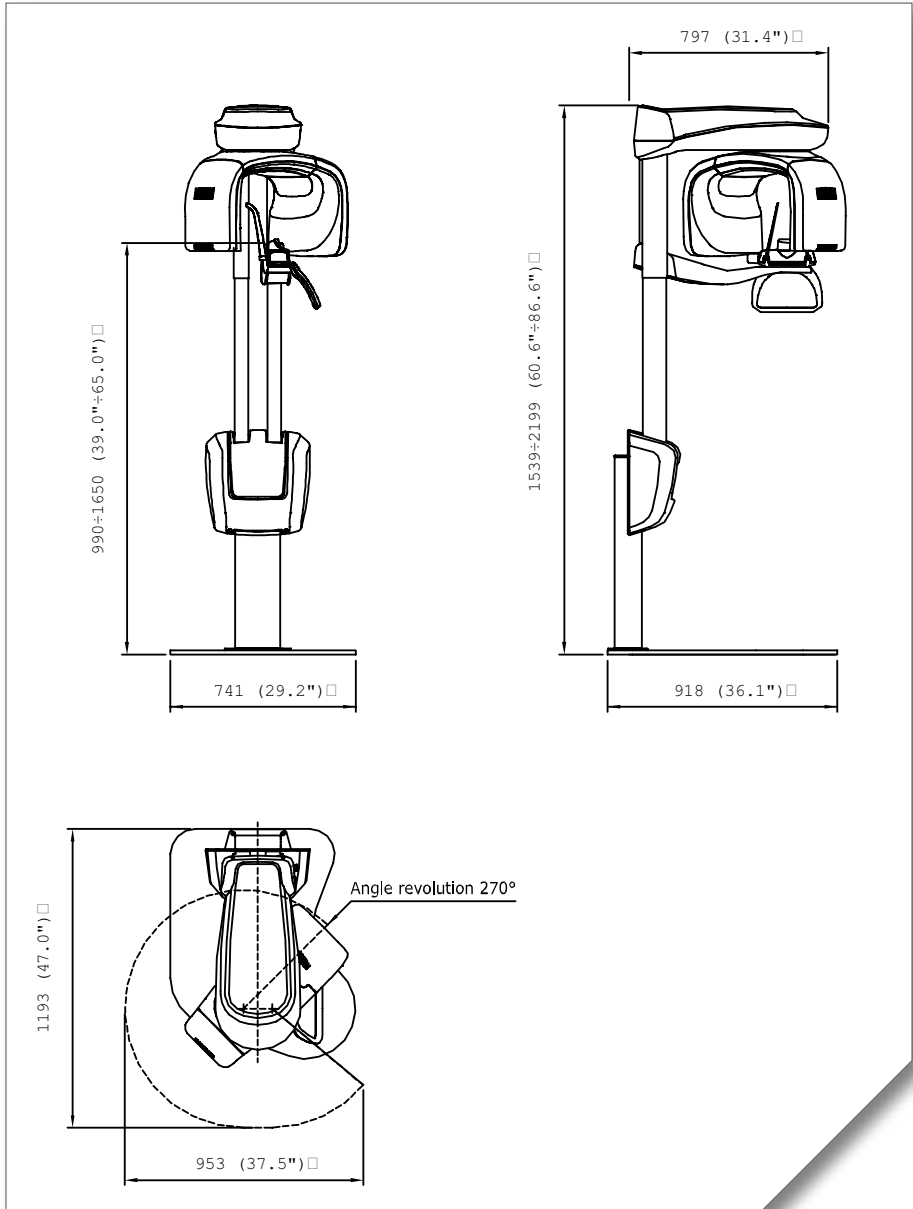
■ I-Max / I-Max 3D (wall mounted version)



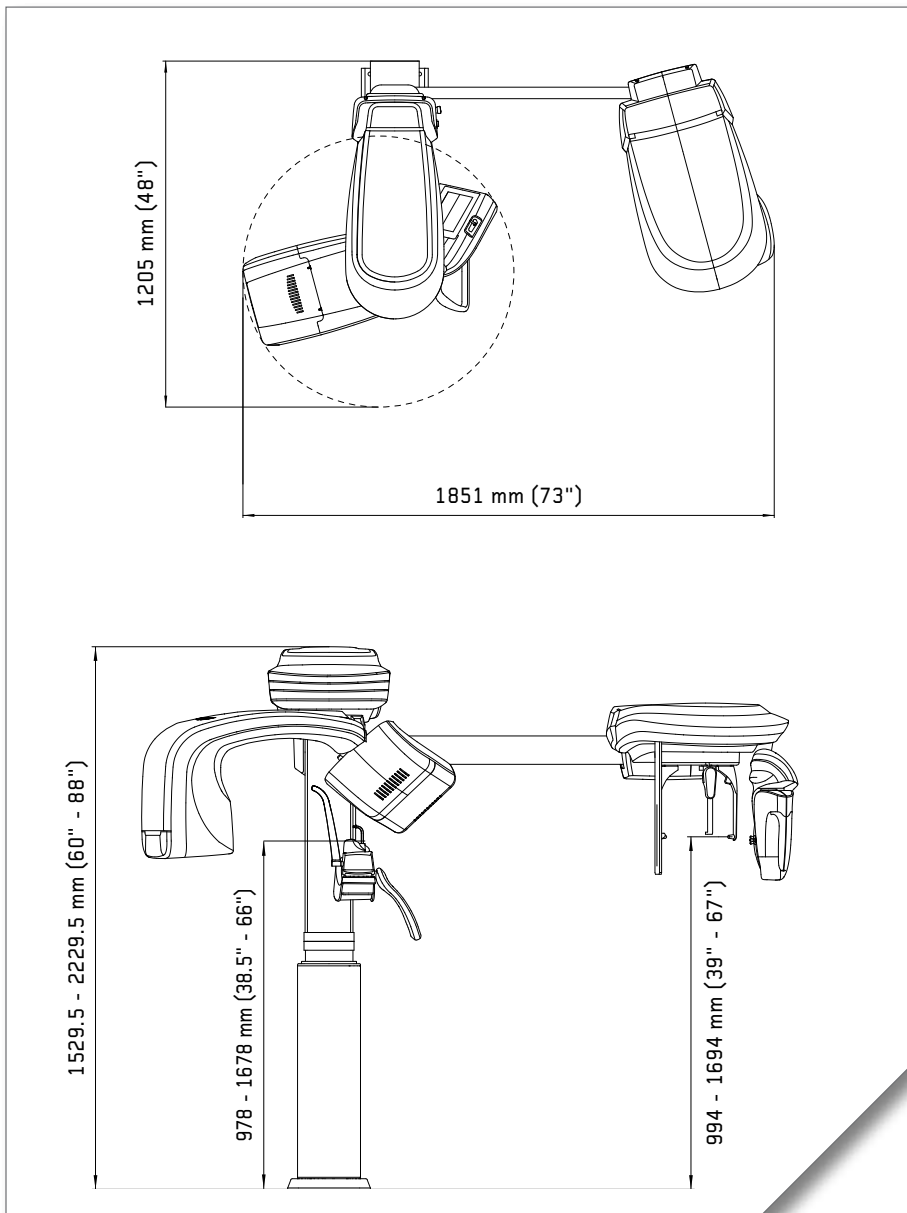
■ I-Max / I-Max 3D (column version )

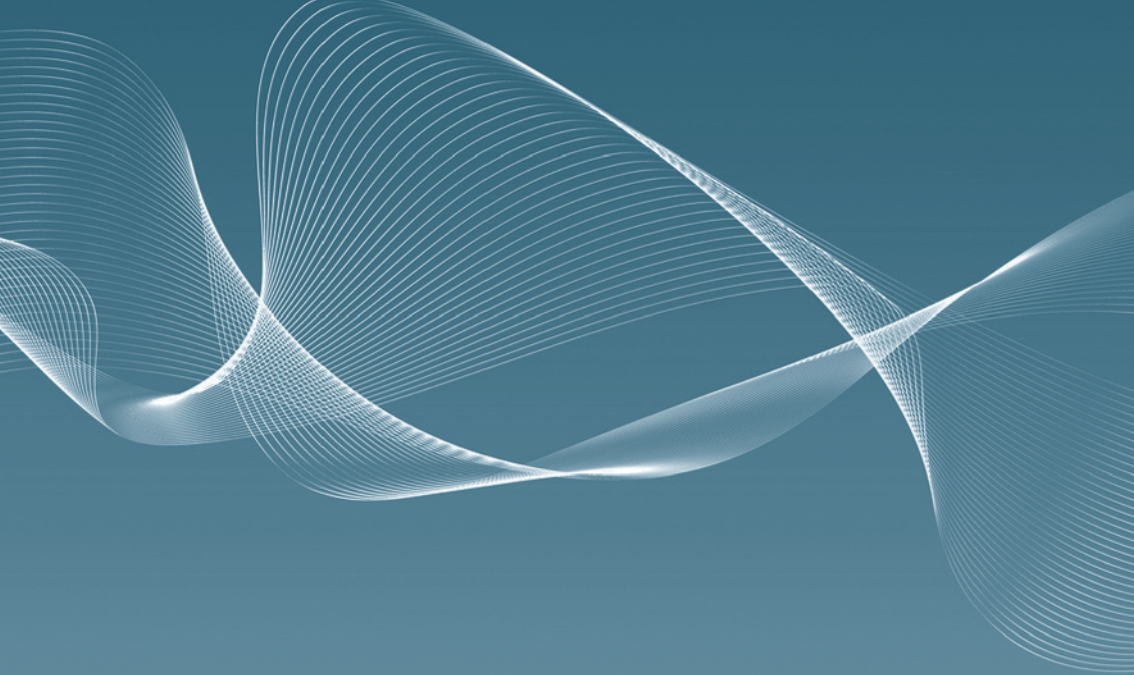


■ I-Max / I-Max 3D (floor mounted version)



■ I-Max Ceph / I-Max Ceph 3D





**EXTRAORAL RANGE**

OVERALL DIMENSIONS

■ **PANORAMIC & CEPH UNITS**

I-MAX / I-MAX CEPH..... p.32

3D CONE BEAM/PANORAMIC & CEPH UNITS





# I-MAX

WALL MOUNTED PANORAMIC UNIT

The I-Max is the new generation of wall mounted panoramic unit, allowing radiographic analysis of the maxillofacial dental complex.

The cephalometric version has an ultra-compact column.

These ultra-compact and lightweight systems come in one easy-to-handle package. Incorporating an exclusive «Easy to Install» system, the I-Max and I-Max Ceph are delivered fully assembled. Its intelligent installation system means that only one technician is required to fit it on the wall.

Boasting several programs, the I-Max and I-Max Ceph are designed to conduct the full range of examinations your practice demands, for example:

- Standard panoramic
- Right/left semi-panoramic
- Reduced dose panoramic
- Panoramic with improved orthogonality
- Standard bitewing
- Left/right bitewing
- Frontal dentition
- Maxillary sinus examination
- TMJ examinations
- Cephalometric examination (standard and low dose)
- Carpus



## TECHNICAL SPECIFICATIONS

Mechanical characteristics	I-Max	I-Max Ceph
Type of installation	wall-mounted	wall-to-floor mounted
Unit footprint dimensions (mm)	1107 (wall side) x 953 = 1m <sup>2</sup>	1850 x 1210 = 2,2m <sup>2</sup>
Weight	137 Lbs	264 Lbs
Weight of optional unit support	13 Lbs	N/A
Focus-receptor distance	20"	
Focus-receptor distance (Ceph)	N/A	65"
Telescopic motorized column run	26"	26.5"
Maximum total height	86"	88"
Working conditions		
Minimum room size	47.2"x47.2"	
Recommended room size	47.2"x55.1"	
Maximum working temperature range	+ 10° ÷ + 40°	
Relative working humidity (RH) range	30% ÷ 75%	
Temperature range for transport and storing	- 20° ÷ + 70°	
Humidity range for transport and storing	< 95% without condensation	
Minimum atmospheric pressure for transport and storing	630 hPa	
Examination mode		
Examination mode	<ul style="list-style-type: none"> <li>• Automatic selection for Adult and Child, 3 Sizes</li> <li>• Manual selection also possible for each programs</li> <li>• Collimator with automatic positioning</li> </ul>	
Panoramic	<ul style="list-style-type: none"> <li>• Standard panoramic</li> <li>• Reduced dose panoramic</li> <li>• Half panoramic L/R</li> <li>• Frontale dentition</li> <li>• Improved orthogonality panoramic</li> </ul>	
Bitewing	<ul style="list-style-type: none"> <li>• Standard Bitewing</li> <li>• Half Bitewing L/R</li> </ul>	
TMJ (Temporal Mandibular Joint)	<ul style="list-style-type: none"> <li>• Standard TMJ, open/closed mouth</li> <li>• Half TMJ sequence exam</li> </ul>	
Sinus	Sinus P/A projection	
Cephalometric (LxH)	<ul style="list-style-type: none"> <li>• Latero-lateral (18x24 cm)*</li> <li>• Latero-lateral + ull view of the nape (24x24 cm)*</li> <li>• Latero-lateral mainly (30x24 cm)*</li> <li>• Antero-posterior or postero-anterior (24x24 cm)*</li> <li>• Carpus</li> </ul>	
* exam available in low doses (H 18cm)		

## SENSORS AND XRAY GENERATOR CHARACTERISTICS

Tube-head features	I-Max	I-Max Ceph
Model	MP 05	MPV 05
Maximum tube voltage with accuracy	70 kVp $\pm$ 8 %	86 kVp $\pm$ 8 %
Maximum anodic current with accuracy	7.1 mA $\pm$ 10 %	12.5 mA $\pm$ 10 %
Duty cycle	1:16	
Nominal power	1125 mAs/h @ 70 kVp	1.075 kW (86 kVp- 12.5 mA)
Total filtration	2 mm Al eq. @ 70 kVp <sub>cr</sub>	$\geq$ 2.5 mm Al eq. @ 86 kVp
HVL (Half value layer)	> 2.5 mm Al eq. @ 70 kVp	> 3.2 mm Al eq. @ 86 kVp
Transformer insulation	Oil bath	
Cooling	By convection	
Leakage radiation at 1 m	< 0.5 mGy/h @ 70 kVp- 7 mA 3 s duty cycle 1/16	< 0.5 mGy/h @ 86 kVp- 12.5 mA 3 s duty cycle 1/16

## X-ray tube features

Type	D-058	OPX 105
Nominal focus size	0.5 mm EN 60336	
Inherent filtration	1.0 mm Al eq.	0.5 mm Al eq.
Anode tilt	15.5°	12°
Anode material	Tungsten	
Nominal maximum voltage	70 kVp	110 kVp
Filament max current	3 A	4 A
Filament max voltage	3.6 V	6.7 V
Anode thermal capacity	13 KJ	30 KJ

## Digital Sensor features

Sensible area (H x L)	PAN sensor: 146 x 6 mm	CMOS sensor: 228 x 6.5 mm
Sensor pixel dimensions	48 $\mu$ m	99 $\mu$ m
Pixel (H)	PAN: 1536	

## Laser centering devices

2 laser beams are used for patient positioning. Beams align mid Sagittal and Frankfurt planes. Class 2 laser product according to IEC Standard 60825-1:2007

Wave length	650 nm $\pm$ 10 nm
Divergence	< 2.0 mRad
Optical power on the working surface	< 1 mW

## Pricelist

Part Number	Description	Price
9304000011	Wall mounted panoramic unit I-Max 120V	\$ 24 990.00
9304201011	Panoramic and cephalometric unit I-Max Ceph 120V	\$ 36 900.00
E0EXT60-I-MAX	5-year warranty extension for I-Max *	\$ 1 250.00
E0EXT60-I-MAX-C	5-year warranty extension for I-Max Ceph *	\$ 1 250.00

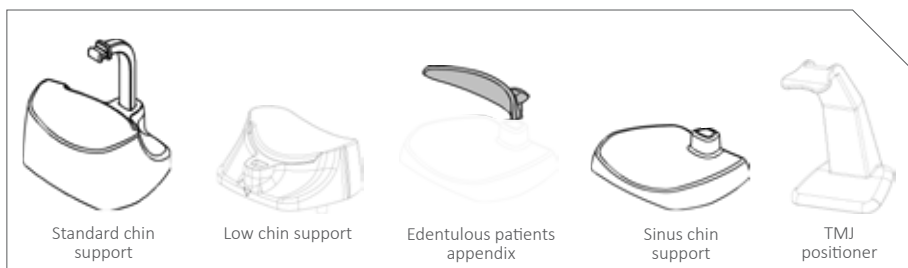
\* Sensor(s) & generator. Warranty extension must be subscribed when ordering.

## Options pricelist

Part Number	Description	Price
5504102205	Kit column for wall installation I-Max / I-Max 3D (see p.28)	\$ 900.00
6104100200	Kit base and column for floor installation I-Max / I-Max 3D (see p.29)	\$ 1 788.00
6104103000	Floor base plate for I-Max Ceph / I-Max Ceph 3D	\$ 1 353.60

## Accessories pricelist

Part Number	Description	Price
6604011508	Standard chin support	\$ 140.00
6604011708	Reduced height chin support	\$ 227.00
5407098108	Edentulous patients appendix	\$ 29.00
6604011608	Sinus chin support	\$ 140.00
6604011800	TMJ positioner	\$ 243.00
6607090100	PAN centering bite (50 pcs)	\$ 224.00
6107110700	Disposable bite protective sleeves (100 pcs)	\$ 93.00
6107110800	TMJ positioner protective sleeves (60 pcs)	\$ 61.00
6195170100	Rest support for centering tool	\$ 144.00
6104081500	Ear protection pack (300 pcs)	\$ 83.16



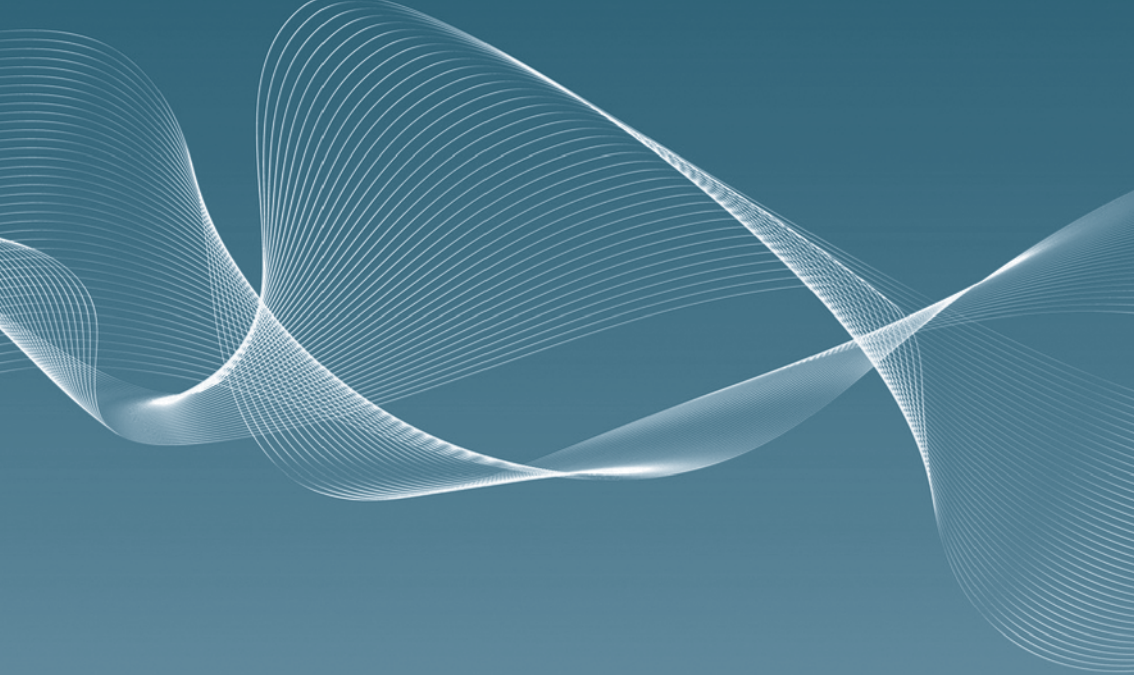
Standard chin support

Low chin support

Edentulous patients appendix

Sinus chin support

TMJ positioner



## EXTRAORAL RANGE

OVERALL DIMENSIONS

PANORAMIC & CEPH UNITS

▪ **3D CONE BEAM/PANORAMIC & CEPH UNITS**

I-MAX 3D / I-MAX 3D CEPH ..... p.37



# I-MAX<sup>3D</sup>

**THE NEW 3D/2D WALL-MOUNTED PANORAMIC UNIT:  
NOW EVERYONE CAN DO 3D IMAGING!**

Often considered too cumbersome and extravagant in the past, 3D imaging is today no longer reserved for an elite few. The I-Max 3D popularises this technology, making it a realistic option for everyone.

Like the I-Max, the I-Max 3D is still the most comprehensive, compact and lightweight model on the market.

Weighing in at just 66kg, and featuring an exclusive “Easy to Install” system, the I-Max 3D is delivered fully assembled, requiring just one technician to install it in situ.

Also available with the cephalometric version, this ultra sophisticated unit is the most compact on the market! With only 275 Lbs one person is enough to install it. Unheard of for a cephalometric unit!

Boasting 18 programs, the I-Max 3D is designed to conduct the full range of examinations:

- Full dentition & condyles
- Full dentition
- TMJ left / right
- Sinus
- Maxillary volume / Mandibular volume
- Frontal maxillary dentition
- Maxillary premolar left / right
- Maxillary molarre left / right
- Frontal mandibular dentition
- Mandibular premolar left / right
- Mandibular molar left / right



## TECHNICAL SPECIFICATIONS

Mechanical characteristics	I-Max 3D	I-Max 3D Ceph
Type of installation	wall-mounted	wall-to-floor mounted
Unit footprint dimensions (mm)	1107 (wall side) x 953 = 1m <sup>2</sup>	1850 x 1210 = 2,2m <sup>2</sup>
Weight	145 Lbs	275 Lbs
Weight of optional unit support	13 Lbs	N/A
Focus-receptor distance	20.5"	
Focus-receptor distance (Ceph)	N/A	20.5"
Telescopic motorized column run	26"	26"
Maximum total height	86"	88"
Working conditions		
Minimum room size	47.2"x47.2"	
Recommended room size	47.2"x55.1"	
Maximum working temperature range	+ 10° ÷ + 35°	
Relative working humidity (RH) range	30% ÷ 75%	
Temperature range for transport and storing	- 20° ÷ + 70°	
Humidity range for transport and storing	< 95% without condensation	
Minimum atmospheric pressure for transport and storing	630 hPa	
Examination mode		
Examination mode (2D or 3D)	<ul style="list-style-type: none"> <li>• Automatic selection for Adult and Child, 3 Sizes</li> <li>• Manual selection also possible for each programs</li> <li>• 3 bite modes (panoramic)</li> </ul>	
Panoramic	<ul style="list-style-type: none"> <li>• Standard panoramic</li> <li>• Half panoramic L/R</li> <li>• Improved orthogonality panoramic</li> <li>• Reduced dose panoramic</li> <li>• Frontale dentition</li> </ul>	
Bitewing	<ul style="list-style-type: none"> <li>• Bitewing L/R</li> <li>• Bitewing L and R</li> </ul>	
TMJ (Temporal Mandibular Joint)	<ul style="list-style-type: none"> <li>• TMJ opened and closed mouth</li> </ul>	
Sinus	<ul style="list-style-type: none"> <li>• Sinus P/A projection</li> </ul>	
3D examination	<ul style="list-style-type: none"> <li>• Full dentition &amp; condyles (option)</li> <li>• Full dentition</li> <li>• Single jaw (maxillary or mandibular arch)</li> <li>• Small volumes (incisors, premolars, molars)</li> </ul>	
F.O.V : 12x10°, 9x9, 9x5, 5x5 cm	<ul style="list-style-type: none"> <li>• TMJ L/R</li> <li>• Sinus</li> </ul>	
* In option		



Examination mode	
Cephalometric (LxH)	<ul style="list-style-type: none"> <li>• Latero-lateral (18x24 cm)**</li> <li>• Latero-lateral + ull view of the nape (24x24 cm)**</li> <li>• Latero-lateral mainly (30x24 cm)**</li> <li>• Antero-posterior or postero-anterior (24x24 cm)**</li> <li>• Carpus</li> </ul>
** exam available in low doses (H 18cm)	

## SENSORS AND XRAY GENERATOR CHARACTERISTICS

Tube-head features	I-Max 3D	I-Max 3D Ceph
Model	MPV 05	
Maximum tube voltage with accuracy	86 kVp $\pm$ 8 %	
Maximum anodic current with accuracy	12.5 mA $\pm$ 10 %	
Duty cycle	1:16	
Nominal power	1.075 kW (86 kVp- 12.5 mA)	
Total filtration	$\geq$ 2.5 mm Al eq. @ 86 kVp	
HVL (Half value layer)	> 3.2 mm Al eq. @ 86 kVp	
Transformer insulation	Oil bath	
Cooling	By convection	
Leakage radiation at 1 m	< 0.5 mGy/h @ 86 kVp- 12.5 mA 3 s duty cycle 1/16	

X-ray tube features	
Type	OPX 105
Nominal focus size	0.5 mm EN 60336
Inherent filtration	0.5 mm Al eq.
Anode tilt	12°
Anode material	Tungsten
Nominal maximum voltage	110 kVp
Filament max current	4 A
Filament max voltage	6.7 V
Anode thermal capacity	30 KJ

Digital sensor features		
Sensible area (H x L)	CMOS sensor 144 x 118 mm	CMOS Ceph sensor 228 x 6.5 mm
Voxel	175 $\mu$ m (HD mode) / 87.5 $\mu$ m (XD mode)	
Pixel (H)	1200 x 988 (binning 1x1) 600 x 494 (binning 2x2)	2304 x 68 (binning 1x1) Ceph 1152 x 34 (binning 2x2) Ceph

Laser centering devices	
2 laser beams are used for patient positioning. Beams align mid Sagittal and Frankfurt planes. Class 2 laser product according to IEC Standard 60825-1:2007	
Wave length	650 nm $\pm$ 10 nm
Divergence	< 2.0 mRad
Optical power on the working surface	< 1 mW

## Pricelist

Part Number	Description	Price
9304100011	Wall-mounted panoramic unit I-Max 3D 120V	\$ 59 900.00
9304301011	Panoramic and cephalometric unit I-Max 3D Ceph 120V	\$ 75 900.00
EXTVOL3D12x10	F.O.V 12x10 cm option	\$ 4 000.00
E0EXT60-I-MAX3D	5-year warranty extension for I-Max 3D*	\$ 2 000.00
E0EXT60-I-MAX3D-C	5-year warranty extension for I-Max 3D Ceph*	\$ 1 900.00

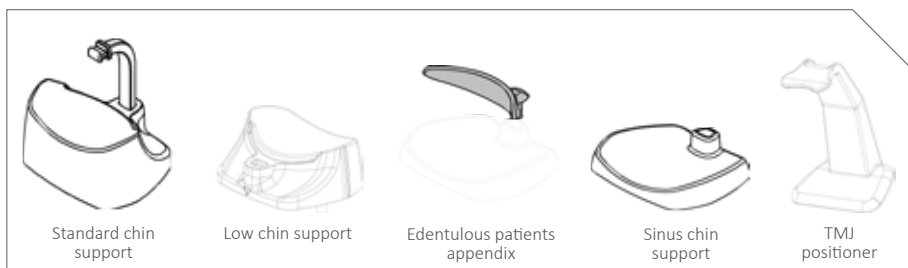
\* Sensor(s) & generator. Warranty extension must be subscribed when ordering.

## Options pricelist

Part Number	Description	Price
5504102205	Kit column for wall installation I-Max / I-Max 3D (see p.28)	\$ 900.00
6104100200	Kit floor base and column for floor installation I-Max / I-Max 3D (see p.29)	\$ 1 788.00
6104103000	Floor base plate for I-Max Ceph / I-Max Ceph 3D	\$ 1 353.60
6695180000	3D quality control kit	\$ 834.00

## Accessories pricelist

Part Number	Description	Price
6604011508	Standard chin support	\$ 140.00
6604011708	Reduced height chin support	\$ 227.00
5407098108	Edentulous patients appendix	\$ 29.00
6604011608	Sinus chin support	\$ 140.00
6604011800	TMJ positioner	\$ 243.00
6607090100	PAN centering bite (50 pcs)	\$ 224.00
6107110700	Disposable bite protective sleeves (100 pcs)	\$ 93.00
6107110800	TMJ positioner protective sleeves (60 pcs)	\$ 61.00
6195170100	Rest support for centering tool	\$ 144.00
6104081500	Ear protection pack (300 pcs)	\$ 83.11



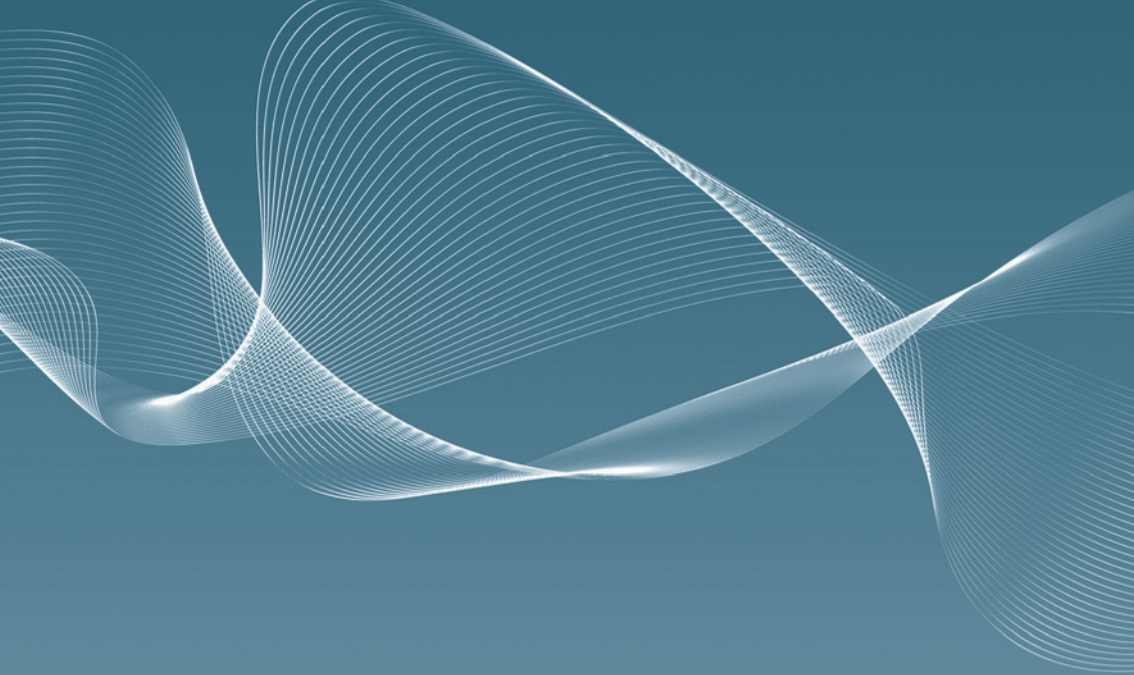
Standard chin support

Low chin support

Edentulous patients appendix

Sinus chin support

TMJ positioner



## SOFTWARE RANGE

QUICKVISION .....	p.42
QUICKVISION DICOM .....	p.43
QUICKVISION 3D .....	p.44

## ■ QUICKVISION

The QuickVision imaging software is aimed at dental practices and consists of a patient database, an imaging module and a dental chart. It can be used with digital dental X-ray equipment, as a hub centralizing all the patient's images. QuickVision allows the users to perform all the daily imaging functions of the dental practice: the acquisition and visualization of images, access to tools for enhancing the images, for measuring, zooming, annotating the images and for sharing data and images.

QuickVision allows the visualization of intraoral, panoramic and 3D images thanks to the new module QuickVision 3D. It allows to simply visualize the volumes acquired, to do cross-sections and export them under QuickVision in order to use the software imaging tools (filters, measuring tool, implant... cf manual).



### Recommended minimal configuration

The computers installed with QuickVision (version 6.x) must match the following minimal configuration:

QuickVision	Minimum configuration	Recommended configuration
Operating system	Windows 10 / 32 or 64 bits	Windows 10 - 64 bits
Processor	Core i3 3 GHz or higher	Core i5 3 GHz or higher
Memory	2 Go	4 Go
Hard disk space data	250 Go	500 Go
Graphics board	Video board 1 Go	Video board 1 Go or higher
Speed network connection practice	1 Gbit	1 Gbit
Backup system	CD-ROM, external hard disk, Internet,...	

If a panoramic unit or an intraoral sensor or camera is connected to a computer, add the specifications of the equipment to the specifications of QuickVision (version 6.x).

### Pricelist

Part Number	Description	Price
LO007-S	QuickVision imaging software	\$ 575.00
5806311000	QuickPrint DICOM Gateway software	\$ 862.50

## ■ QUICKVISION DICOM

The QuickVision DICOM software provides DICOM connectivity with the Owandy equipment. This software proposes the following DICOM services:

- Worklist
- Store (on a PACS)
- Query & Retrieve (from a PACS)
- DICOMDIR (manual import and export of DICOM files)
- DICOM Print (on a DICOM printer)

The QuickVision DICOM software allows for the acquisition and manipulation of images from the Owandy digital X-ray equipment (modalities):

- Intraoral sensors (Opteo, One)
- 2D panoramic units (I-Max, I-Max Touch)
- 3D CBCT panoramic units (I-Max Touch 3D)

### Recommended minimal configuration

The computers installed with QuickVision DICOM must match the following minimal configuration:

QuickVision DICOM	Minimum configuration	Recommended configuration
Operating system	Windows 10 - 32 or 64 bits	Windows 10 - 64 bits
Processor	Core i3 - 3 GHz	Core i5 - 3 GHz or higher
Memory	4 Go	8 Go
Hard disk space software	5 Go	10 Go
Hard disk space data	250 Go	500 Go
Graphics board	1 Go video board	1 Go video board or higher
Speed network connection practice	1 Gbit	1 Gbit
Backup system	CD-ROM, external hard disk, Internet,...	

If a panoramic unit or an intraoral sensor or camera is connected to a computer, add the specifications of the equipment to the specifications of QuickVision DICOM.

### Pricelist

Part Number	Description	Price
7606040100	QuickVision DICOM 2D	\$ 2 472.50
7606040200	QuickVision DICOM 3D	\$ 3 795.00
7607040700	QuickVision DICOM Advanced Print module	\$ 1 638.75

## ■ QUICKVISION 3D

QuickVision 3D is a complete application that generates panoramic images, cross-sections and bone models reading of axial images to help you identify the mandibular canal but also to show the 3D model of the bone to calculate the bone density.

QuickVision 3D simulates the placement of an implant on 2D and 3D models.

To facilitate the surgery, the main anatomical patient characteristics are identified: the exact location of the implant, possible collisions and many other clinical aspects.

The implant planning software Quickvision 3D will be your best ally to develop faster prosthetic implant surgery, safer and more efficient.



### Recommended minimal configuration

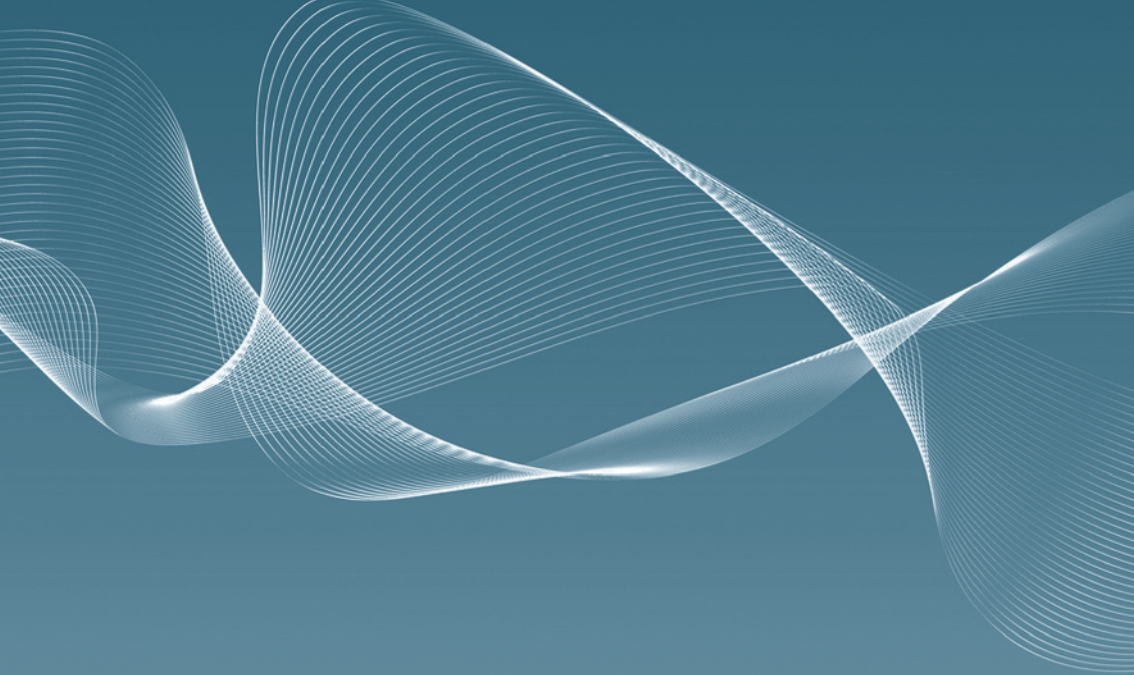
The computers installed with QuickVision 3D must match the following minimal configuration:

QuickVision 3D	Recommended minimal configuration
Operating system	Windows 10 - 64 bits / Mac OS 10.6 or higher
Processor	Core i5- 3.0 GHz or higher
Memory	8 GB
Hard disk space software	10 Go
Hard disk space datas	1 To
Graphics board	Video board 2 Go or higher
Speed network connection practice	1 Gbit
Backup system	CD-ROM, external hard disk, Internet,...

If a 3D panoramic unit is connected to a computer, add the specifications of the equipment to the specifications of QuickVision 3D.

### Pricelist

Part Number	Description	Price
7604040100	QuickVision 3D imaging software	\$ 1 150.00



**Owandy Radiology**

55 Lumber Road  
Suite #145  
Roslyn, NY 11576  
USA

Office: +1 516 858 5695  
info@owandyus.com  
www.owandy.com



- DIGITAL INTRA-SENSORS
- CAMERAS
- X-RAY UNITS
- 2D - 3D PANORAMIC
- SOFTWARE